

Model: D8SK-600 X

Data

Type: Semi-hermetic piston compressors

Producer: Copeland

Series: S

Model: D8SK-600 X

Technical data

| | |
|-----------------------------------|-------------|
| Cylinder count: | 8 |
| Displacement [m ³ /h]: | 210 |
| Weight [kg]: | 370 |
| Oil charge [dm ³]: | 7,7 |
| Max. operating current [A]: | 88,7 |
| Locked rotor current [A]: | 544 |
| Power supply [V/~/Hz]: | 400V/3/50Hz |

Connections

| | <u>milimeters</u> | <u>inches</u> |
|-----------------|-------------------|---------------|
| Suction line: | | 3 1/8" |
| Discharge line: | | 2 1/8" |

Model: D8SK-600 X

Capacity

R134a

Cooling capacity [kW]

| $t_c \setminus t_e$ | -20 | -15 | -10 | -5 | 0 | 5 | 10 |
|---------------------|-------|-------|-------|-------|--------|--------|--------|
| 30 | 42.77 | 55.80 | 72.06 | 91.44 | 113.80 | 139.03 | 166.99 |
| 35 | 39.44 | 51.79 | 67.25 | 85.68 | 106.97 | 130.99 | 157.61 |
| 40 | 36.12 | 47.77 | 62.40 | 79.88 | 100.08 | 122.87 | 148.14 |
| 45 | 32.80 | 43.74 | 57.53 | 74.03 | 93.12 | 114.67 | 138.56 |
| 50 | 29.47 | 39.69 | 52.62 | 68.12 | 86.09 | 106.38 | 128.88 |
| 55 | 26.15 | 35.62 | 47.67 | 62.17 | 78.99 | 98.00 | 119.09 |
| 60 | 22.82 | 31.53 | 42.68 | 56.15 | 71.81 | 89.54 | 109.20 |

Power input [kW]

| $t_c \setminus t_e$ | -20 | -15 | -10 | -5 | 0 | 5 | 10 |
|---------------------|-------|-------|-------|-------|-------|-------|-------|
| 30 | 18.15 | 20.45 | 22.70 | 24.70 | 26.26 | 27.18 | 27.28 |
| 35 | 18.55 | 21.17 | 23.81 | 26.28 | 28.40 | 29.96 | 30.77 |
| 40 | 18.84 | 21.73 | 24.72 | 27.62 | 30.24 | 32.39 | 33.87 |
| 45 | 19.06 | 22.16 | 25.46 | 28.74 | 31.82 | 34.50 | 36.60 |
| 50 | 19.22 | 22.50 | 26.05 | 29.66 | 33.15 | 36.33 | 38.99 |
| 55 | 19.36 | 22.77 | 26.51 | 30.41 | 34.27 | 37.89 | 41.08 |
| 60 | 19.50 | 22.98 | 26.89 | 31.02 | 35.19 | 39.21 | 42.88 |

Model: D8SK-600 X

Capacity

Current [A]

| $t_c \setminus t_e$ | -20 | -15 | -10 | -5 | 0 | 5 | 10 |
|---------------------|-------|-------|-------|-------|-------|-------|-------|
| 30 | 56.74 | 58.51 | 60.56 | 62.61 | 64.41 | 65.71 | 66.24 |
| 35 | 57.11 | 59.22 | 61.67 | 64.22 | 66.60 | 68.55 | 69.81 |
| 40 | 57.32 | 59.75 | 62.61 | 65.65 | 68.59 | 71.20 | 73.19 |
| 45 | 57.36 | 60.11 | 63.38 | 66.90 | 70.41 | 73.65 | 76.38 |
| 50 | 57.24 | 60.31 | 63.97 | 67.97 | 72.04 | 75.92 | 79.36 |
| 55 | 56.96 | 60.34 | 64.40 | 68.86 | 73.49 | 78.00 | 82.16 |
| 60 | 56.52 | 60.21 | 64.65 | 69.58 | 74.75 | 79.90 | 84.76 |

Mass flow [kg/s]

| $t_c \setminus t_e$ | -20 | -15 | -10 | -5 | 0 | 5 | 10 |
|---------------------|--------|----------|----------|----------|----------|----------|----------|
| 30 | 866.05 | 1 135.55 | 1 472.52 | 1 877.41 | 2 350.67 | 2 892.76 | 3 504.13 |
| 35 | 833.44 | 1 099.69 | 1 433.67 | 1 835.84 | 2 306.65 | 2 846.56 | 3 456.02 |
| 40 | 798.72 | 1 061.33 | 1 391.94 | 1 791.01 | 2 258.99 | 2 796.34 | 3 403.51 |
| 45 | 761.13 | 1 019.72 | 1 346.58 | 1 742.16 | 2 206.93 | 2 741.33 | 3 345.82 |
| 50 | 719.92 | 974.10 | 1 296.82 | 1 688.54 | 2 149.70 | 2 680.77 | 3 282.21 |
| 55 | 674.33 | 923.72 | 1 241.92 | 1 629.38 | 2 086.57 | 2 613.93 | 3 211.91 |
| 60 | 623.60 | 867.82 | 1 181.12 | 1 563.95 | 2 016.77 | 2 540.03 | 3 134.19 |

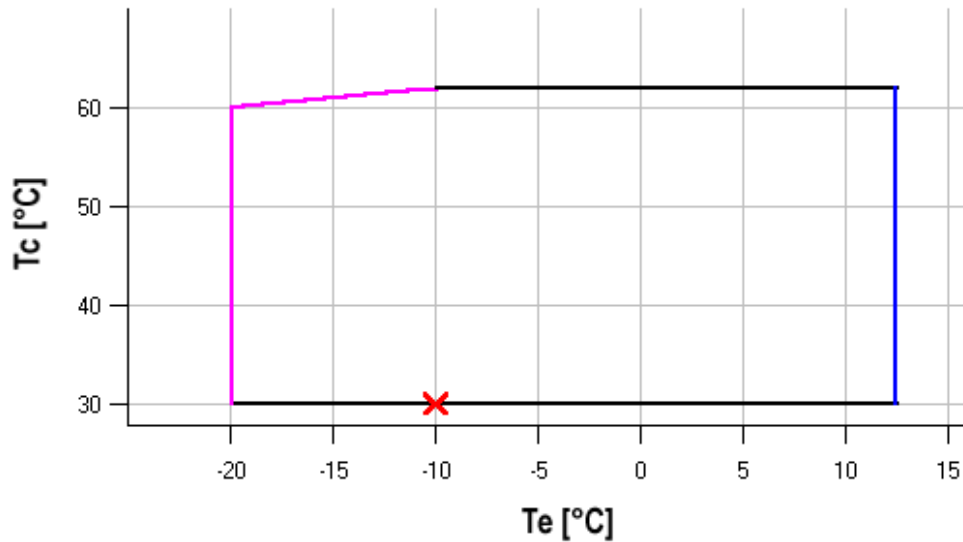
Model: D8SK-600 X



Capacity

C.O.P. [W/W]

| $t_c \setminus t_e$ | -20 | -15 | -10 | -5 | 0 | 5 | 10 |
|---------------------|------|------|------|------|------|------|------|
| 30 | 2.36 | 2.73 | 3.17 | 3.70 | 4.33 | 5.12 | 6.12 |
| 35 | 2.13 | 2.45 | 2.82 | 3.26 | 3.77 | 4.37 | 5.12 |
| 40 | 1.92 | 2.20 | 2.52 | 2.89 | 3.31 | 3.79 | 4.37 |
| 45 | 1.72 | 1.97 | 2.26 | 2.58 | 2.93 | 3.32 | 3.79 |
| 50 | 1.53 | 1.76 | 2.02 | 2.30 | 2.60 | 2.93 | 3.31 |
| 55 | 1.35 | 1.56 | 1.80 | 2.04 | 2.31 | 2.59 | 2.90 |
| 60 | 1.17 | 1.37 | 1.59 | 1.81 | 2.04 | 2.28 | 2.55 |

Application range

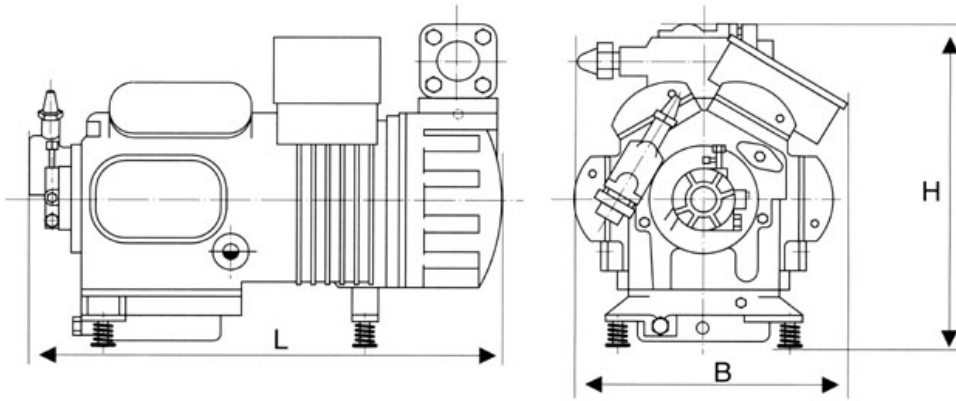


-  Maximum evaporating temperature
-  25°C suction gas temperature

Operating conditions: ISO; subcooling: 0 K, suction superheat: 10 K, return gas temperature: -
 t_c - Condensing temperature [°C]
 t_e - Evaporating temperature [°C]

Model: D8SK-600 X

Dimensions



| | |
|---|--------|
| L | 863 mm |
| B | 541 mm |
| H | 616 mm |

Model: D8SK-600 X

Image

